

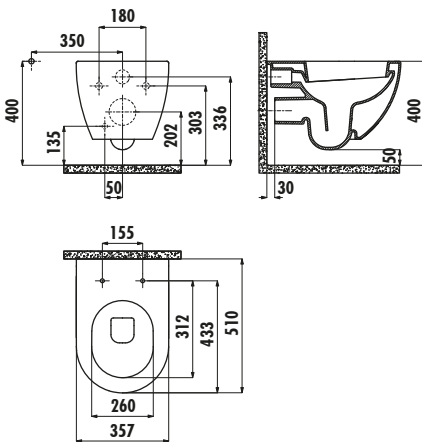
FREE FE320.60000

Anthracite Wall Hung Pan

FE320.60000	Free Wall Hung Pan Combined Bidet - Anthracite Matt
FE320.60100	Free Wall Hung Pan - Anthracite Matt
KC0903.01.0400E	Duck Duroplast Soft Closing Seat & Cover - Anthracite Matt

Qty of Pallet:	16
Qty of Box:	Seat&Cover 10
Weight:	Pan 25,5 kg Seat & Cover 2,5 kg

TECHNICAL DRAWING



SPECIFICATIONS

Creavit keeps its rights of making any change to the products.



Quality Management Systems



Customer Satisfaction Certificate



Environmental Management System



Occupational Safety & Health Management System

LGA

Germany Accreditation Certificate

kiwa

Netherlands Accreditation Certificate

GOST - R

Russia Accreditation Certificate

UkrSEPRO

Ukraine Accreditation Certificate



Israel Accreditation Certificate



Nigeria Accreditation Certificate



European Accreditation Certificate



Turkish Accreditation Certificate